

155 INDICATOR

Indicator and peripherals
for explosion proof
applications

[Technical Specification](#)



DESCRIPTION

The ZM155 FM approved indicator is the perfect fit for all applications from simple weighing or filling to advanced applications that utilize one of the ZM200, ZM300, ZM4/5/6 Indicators in the safe area to manage data and display user information.

SPECIFICATIONS

GENERAL

Operating Applications	General weighing, safe area interface, and other applications upon request
Calibration	2-4 point
Units of Measure	lb, kg, configurable (g, oz, ton)
Capacity Selection	1 to 9,999,999
Configurable Settings	AZT, motion and zero range
Internal Resolution	Four million counts max. (internal)
Digital Filtering	Ambient and application filter

USER INTERFACE

Keypad	28 chemical resistant polyester
Operational Keys	On/Off, Clear Function, Reference, OK, Toggle, Info, Scale Select, Zero, Tare, Function, ISO-Test, Print, 0-9, Decimal, ID, x10 Expanded Resolution, B/G Net
Status Annunciators	Bar Graph, Print, Scale Range, WP 1 or 2, B/G Net, Battery Status, Units, MEM, Auto/OPT, Center Zero, and Application Specific
Display	20 mm LCD, 14 segment, 7 digit, plus status symbols, back lit

PHYSICAL

Operating Temperature	Compliance with legal-for-trade requirements 14° to 104° F / -10° to 40° C Up to 85% relative humidity, non-condensing
Enclosure	304 brushed stainless steel IP69K, NEMA type 4X
Weight	5.0 lb / 2.3 kg
Dimensions	See drawings

INPUT/OUTPUT

Communications	Comm 1: RS232, RS422, RS485 standard Comm 2: Optional unicom - RS232, RS422, RS485
Circuitry Protection	RFI, EMI, and ESD protection

ELECTRICAL

Power Requirements	Via external power supply or battery
Excitation	2.5 VDC
Analog Signal Input Range	0 mV to 7.5 mV
Analog Signal Sensitivity	0.2 µV/divisions recommended 0.02 µV/divisions minimum for non-legal

OPTIONS

ZM155-PSU-H	Hazardous area AC PSU, 100-240 VAC, 60 Hz
ZM155-PSU-S	Safe area AC PSU, 100-240 VAC, 60 Hz
ZM155-BAT	Battery Pack
ZM155 Charger	Battery charger
ZM155-COM	Communications barrier box
Wall Mount Kit	
Dust Cover	

INGRESS PROTECTION

ZM155	IP69K
ZM155-PSU-H	IP65
ZM155-PSU-S	IP40
ZM155-BAT	IP65 (IP23 when charging port is open)
ZM155-COM	IP40

APPROVALS

Agencies	NTEP - Pending Factory Mutual
-----------------	----------------------------------



ZM155 Indicator:

Hazardous (Classified) Location
Class I, II, III, Division 1, Groups A, B, C, D, E, F, G
Class I, Zone 1, Groups IIA, IIB, IIC
Zone 21

ZM155-BAT:

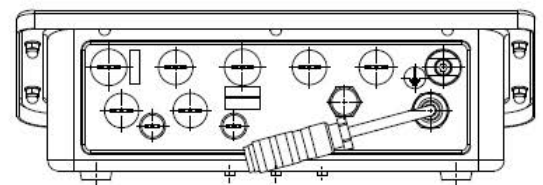
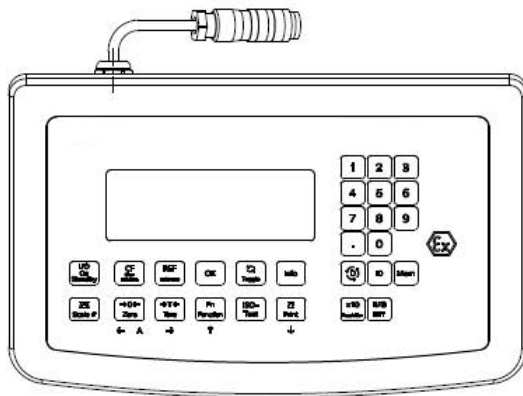
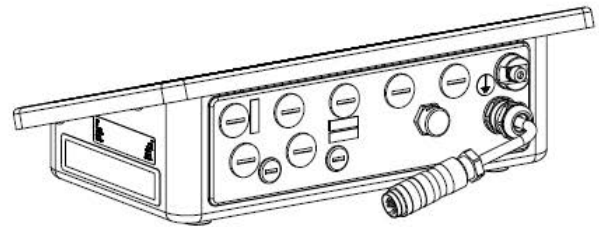
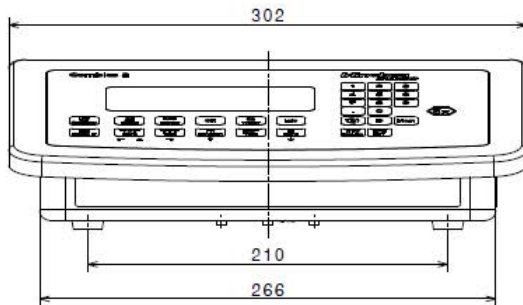
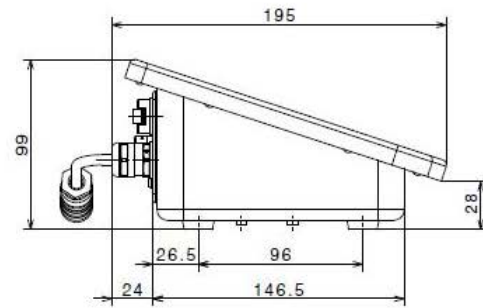
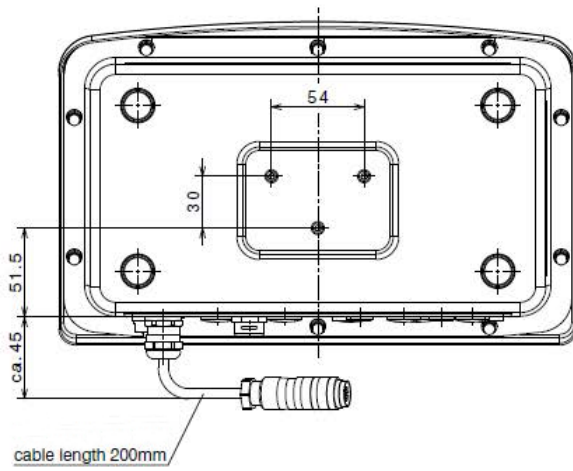
Hazardous (Classified) Location
Class I, II, III, Division 2, Groups A, B, C, D, F, G, T4
Class I, Zone 1, Group IIC
Class II, Zone 20

ZM155-PSU-H:

Hazardous (Classified) Location
Class I, II, III, Division 1, Groups A, B, C, D, E, F, G

Note: With reference to the ZM155-BAT, distributing or selling this product in California could subject you to fines or other penalties.

DIMENSIONS



Avery Weigh-Tronix

www.averyweigh-tronix.com

Avery Weigh-Tronix is an ITW company



Avery Weigh-Tronix is a trademark of the Illinois Tool Works group of companies whose ultimate parent company is Illinois Tool Works Inc. ("Illinois Tool Works"). Copyright © 2019 Illinois Tool Works. All rights reserved. This publication is issued to provide outline information only and may not be regarded as a representation relating to the products or services concerned. This publication was correct at the time of going to print, however Avery Weigh-Tronix reserves the right to alter without notice the specification, design, price or conditions of supply of any product or service at any time.

zm155_spec_501877.indd
V1 AWT35-501877