



## DESCRIPTION

A hermetically sealed load bearing unit operating in compression to produce an analogue output which is proportional to the applied load. Construction is 100% stainless steel, natural finish.

- Compact design
- Built to last - robust design
- Quality assured
- IP69K ideal for harsh environments
- Outstanding accuracy & performance
- Built-in lightning protection
- Retrofittable design
- Affordable
- Accuracy 5000d as standard
- 100% stainless steel construction
- 20 metre cable length standard

### Available capacities:

22.5 tonnes

45 tonnes

## SPECIAL FEATURES

4x50GΩ Surge arresters fitted internally to provide protection against lightning damage.

Supplied ready-assembled with gaiters and load buttons for simple installation.

Unlike other canister loadcells on the market today, all T302X loadcells will be supplied as standard with pre-greased top and bottom load buttons. This helps protect the load cell from harsh environments and helps to reduce load cell rotation.

Custom designed to obtain the optimum electrical balance properties required for high accuracy weighing applications in industrial environments.

Backward comparable – Being smaller means the new T302X can be used to directly replace old T302 with the aid of a retrofit adaptor block to take up the gap between the base location and the bottom of the canister loadcell.

The T302X is also fully compatible with the 8701.

OIML R60 approved to 5000d and available in 22.5 tonne and 45 tonne capacities.

Fitted with 20 metre 4 wire 7 x 0.3mm core cable that has an electrically, mechanically and chemically tough polyurethane sheathed cable for added protection.

## APPLICATIONS

This transducer is designed to operate with loads applied through the central axis of the cell. For high accuracy weighing applications, the load cell is protected from side forces and/or off centre loads by mounting it as a double pendle (strut) unit. The T302X allows the weighbridge to travel the same distance as the T302 making this an ideal T302 replacement. Tie bars or bumper stops will be required to help restrict horizontal movement of the load platform when in use. Due to its anti-rotation design, the T302X can be used either way up.

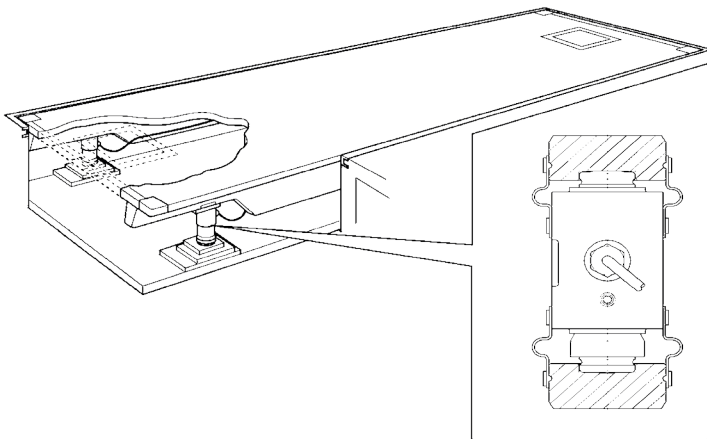
### Retrofit existing load cells

Existing 8701/T302/T302i load cells, in most installations, can be replaced by adding load cell mounting spacer plates.

T302X load cells can be used to replace other manufacturer's existing canister load cells without making any major modifications.

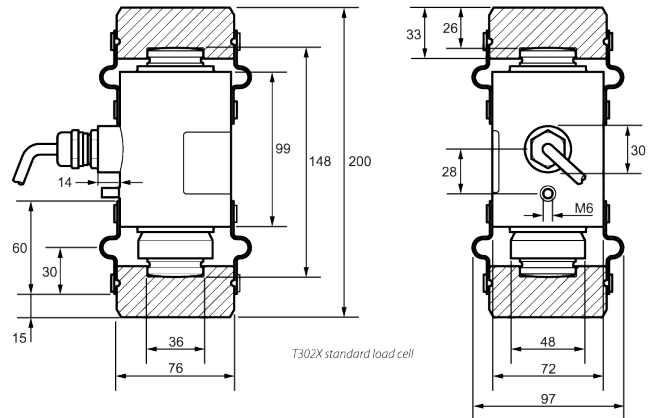
### Typical Vehicle Weighing Applications

In the weighbridge application shown below, the strut unit provides the cell with the optimum loading conditions needed for high accuracy vehicle weighing.



*Typical Load cell installation*

## DIMENSIONS



## SPECIFICATIONS

### Environment

**Resistance to Dirt & Moisture:**

The load cell has been designed to exceed IP69K rating.

**Electrical Disturbance:**

Immune to electrical disturbance, including RFI as detailed in EN45501:1992.

**Storage Temperature Range:**

- 30° C to + 85° C

**Operating Temperature Range:**

- 20° C to + 60° C

**Calibrated Temperature Range:**

- 10° C to + 40° C

### Approvals

OIML approval 5000d

Certificate number: R60/2000-GB1-09.10

The T302X has been added on to all AWTX OIML approval indicator certificates to allow the T302X to be individually used as a direct replacement for any T302 used out in the field.

Excitation Electrical (Recommended)	10 - 12 v, AC or DC
Excitation Electrical (Maximum)	20 v, AC or DC
Terminal Resistance Input at 20° C	560 - 620
Terminal Resistance Output at 20° C	480 Nominal
Rated Output	1.75 mV/V 0.1% (at rated capacity)
Zero Balance	1% of Rated Output
Combined Error	0.013% of Rated Output
Repeatability	0.01% of Rated Output
30 min Creep and Zero Return (OIML R60)	0.01% of Rated Output
Temperature Effect on Rated Output (-10° C to + 40° C)	0.0008%/° C
Temperature Effect on Zero Balance (-10° C to + 40° C)	0.0009%/° C
Overload Rating (Without affecting performance)	150% Rated Capacity
Overload Rating (Ultimate)	>225% Rated Capacity
Insulation Resistance (Minimum)	>5,000 M

### Electrical

**Electrical Termination:** 4 core 7 x 0.3mm or equivalent.

Standard length, 20 metres.

Outer tinned copper sheath.

Input: Black - Green +

Out put: Red - White +

